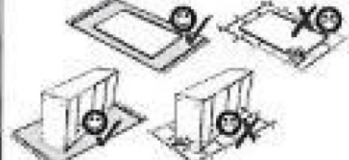
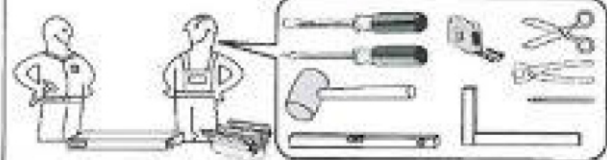
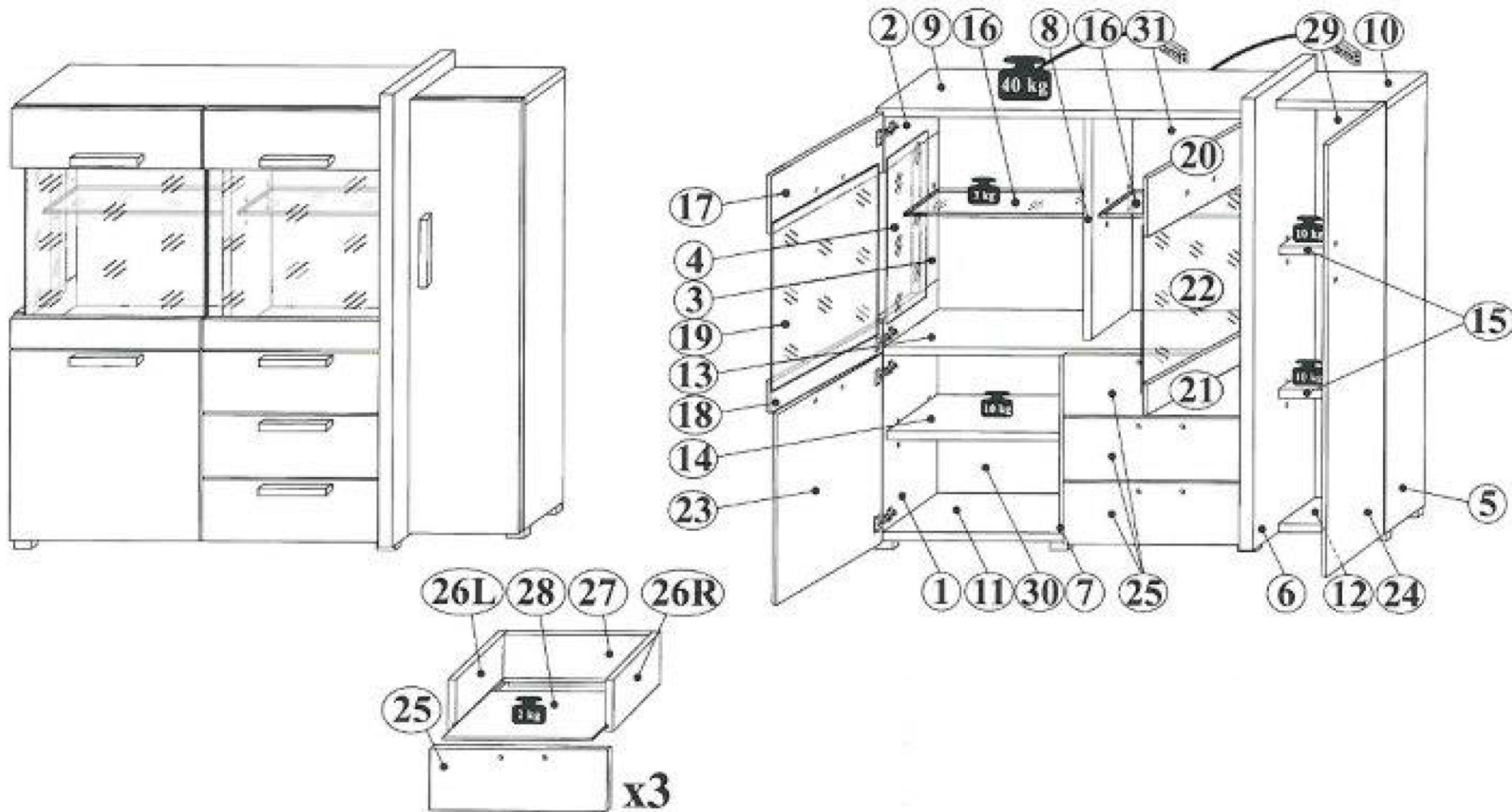


SANIBEL



NR 1

(B1)  $\phi 8 \times 20$ x28

(B22)  $\phi 8 \times 35$ x2

(M1)  $\phi 15 \times 12 \text{mm}$ x32

(T1)  $5 \times 30 \text{mm}$ x28

(T12)  L-48 x2

(J23)  x22

(S6)  $3,0 \times 20$ x8

(C3)  x8

(C2)  x18

NR 2

(W1)  x12

(W3)  x7

(G4)  x22

(P16)  4×16 x22

NR 3

(Y0)  $K \times 0$ x7

(D7)  $H2$ x7

(E3)  $6,3 \times 13$ x14

(S8)  4×13 x14

(Z5)  x3

NR 4

(Y1)  $K \times 15$ x2


(D7)  $H2$ x2


(E3)  $6,3 \times 13$ x4

(S8)  4×13 x4

(Z5)  x1

NR 5

(N20)  x8

(S2)  4×30 x16

NR 6

(R35)  $L-350 \text{mm}$ x3L/3R

(E24)  $6,0 \times 11$ x18

(M2)  $\phi 12 \times 10 \text{mm}$ x6


(T2)  $5 \times 35 \text{mm}$ x6


(P5)  4×30 x12

(F338)  L-338 x3


(P10)  3×13 x6

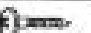
NR 7

(U23)  x7

(A14)  $M4 \times 22$ x14

NR 8

(J11)  x1

(P13)  $3,5 \times 13$ x2

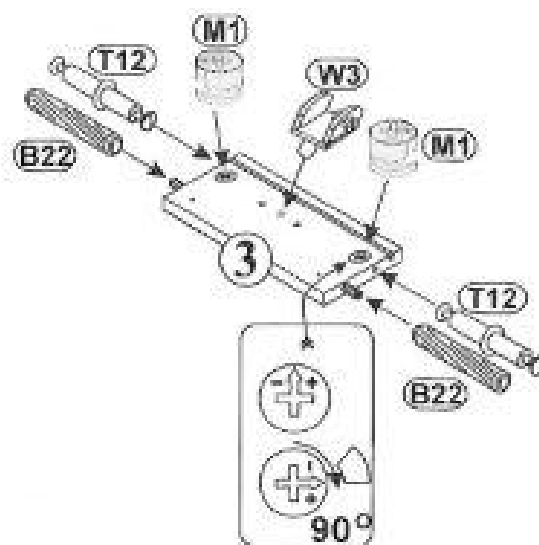
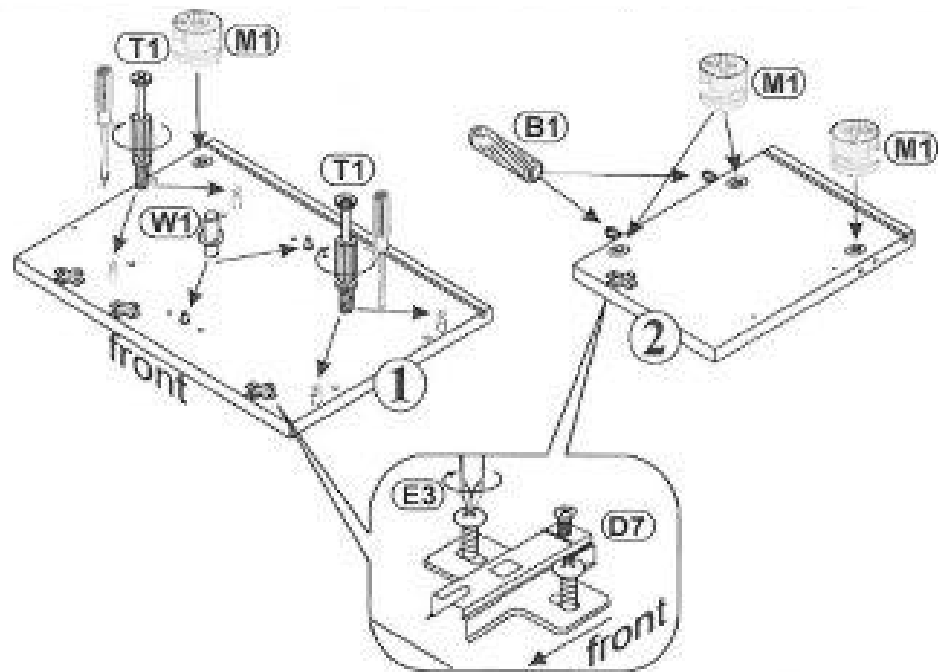
NR 9

(O21)  $\text{MAX } 3,6 \text{W}$ x1

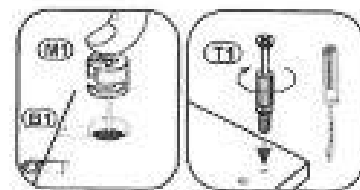
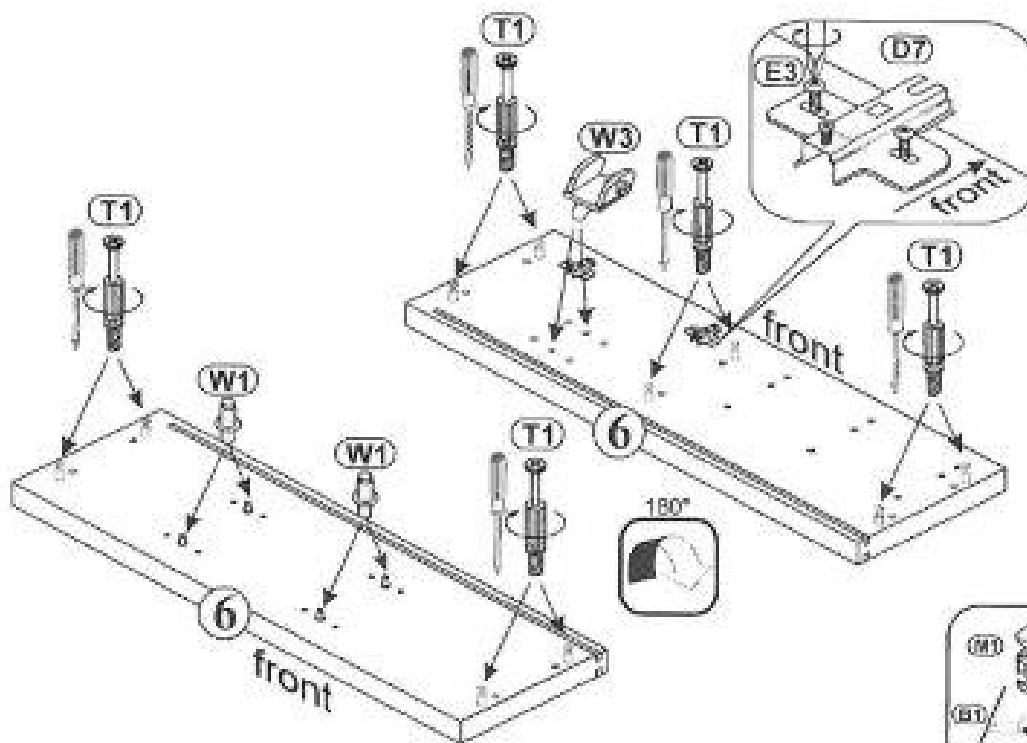
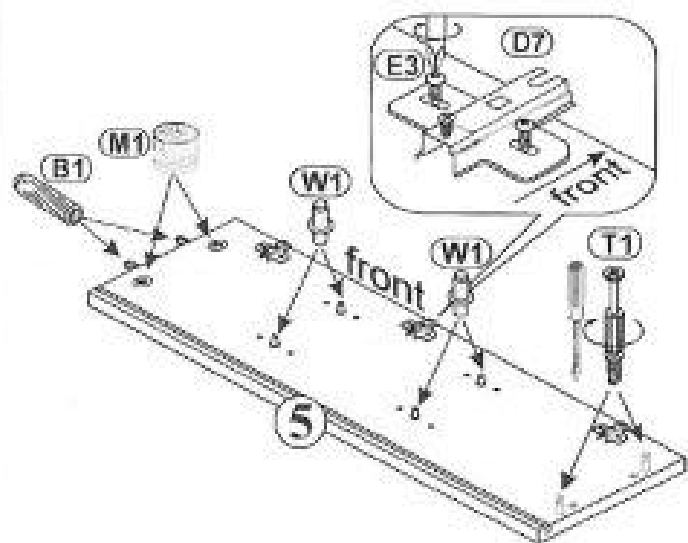
(SQ2)  x2



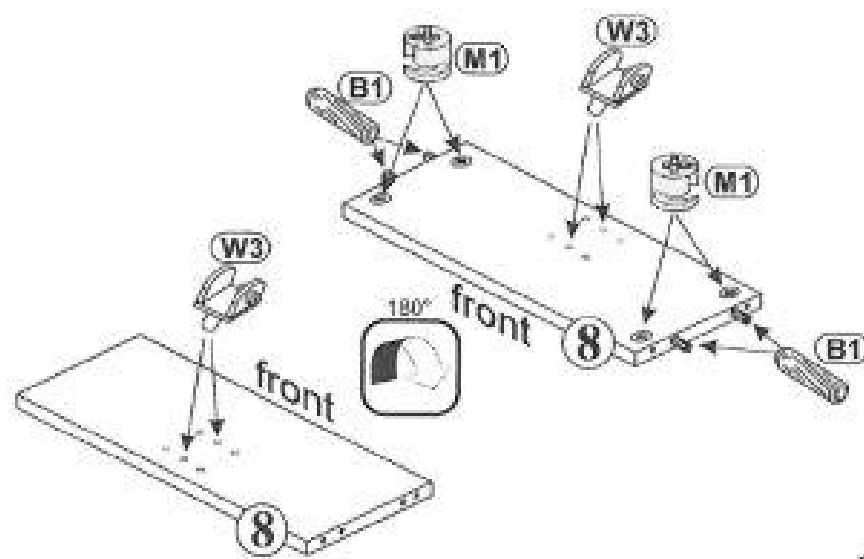
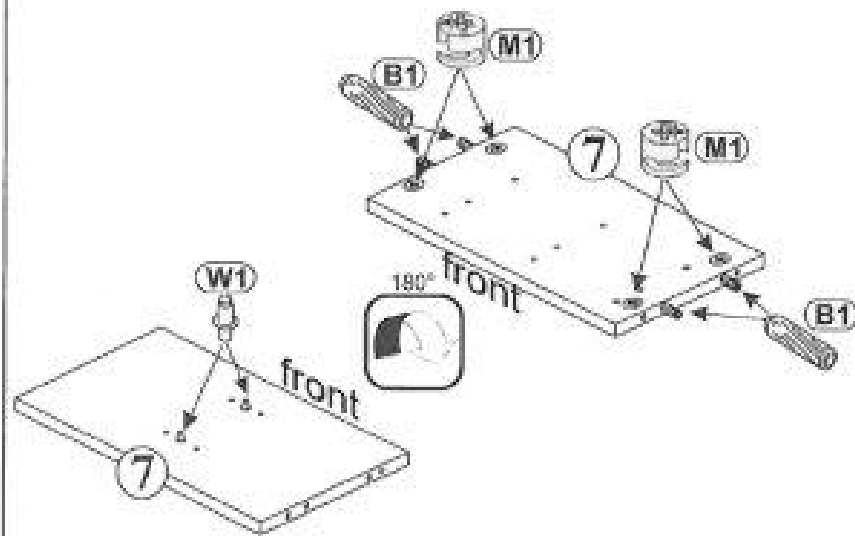
1



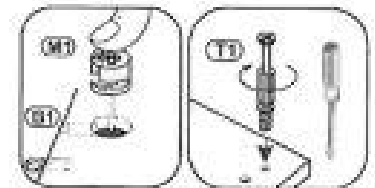
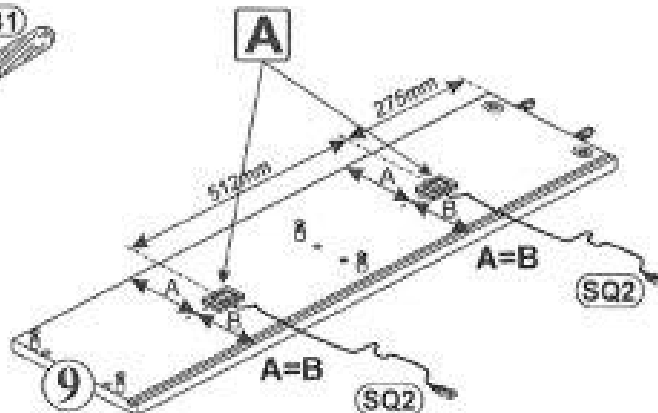
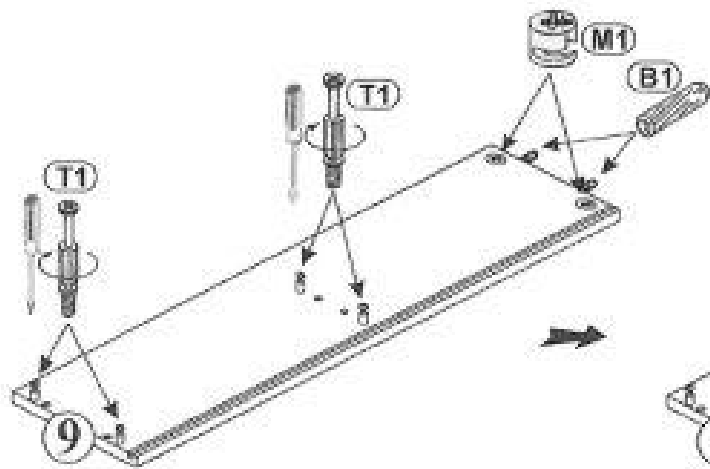
(B1)		8x28	x4
(B22)		8x35	x2
(M1)		15x12mm	x8
(T1)		5x30mm	x16
(T12)		L=40	x2
(W1)			x10
(W3)			x3
(D7)		H2	x9
(E3)		8.3x13	x18



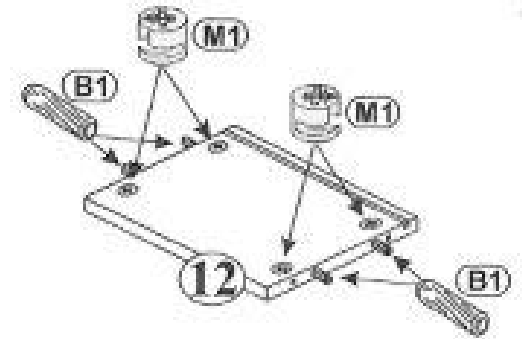
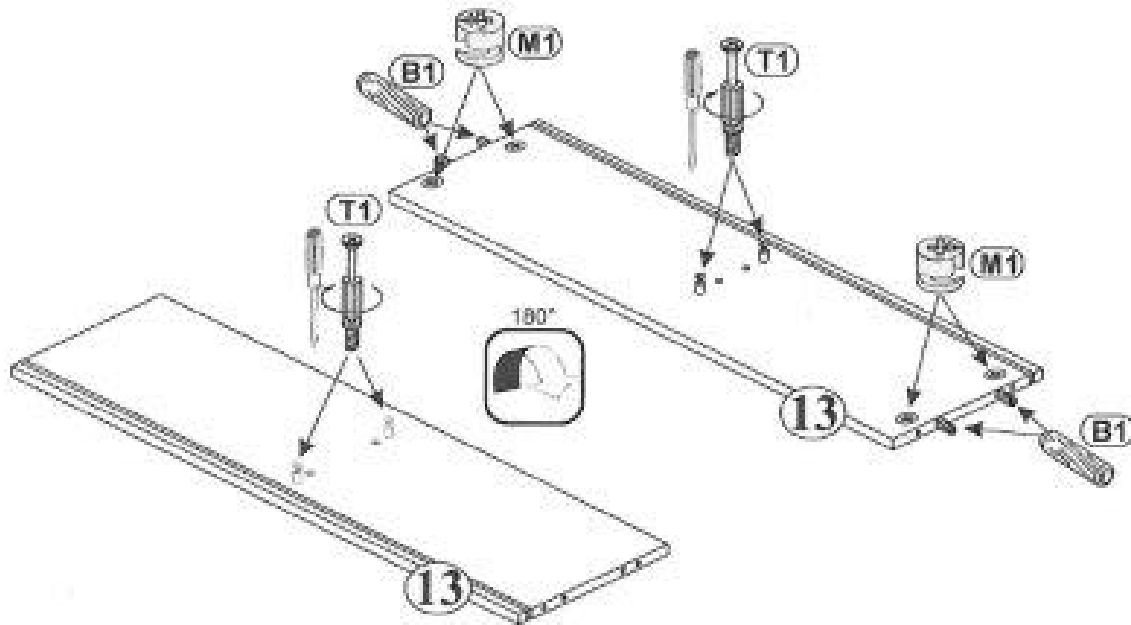
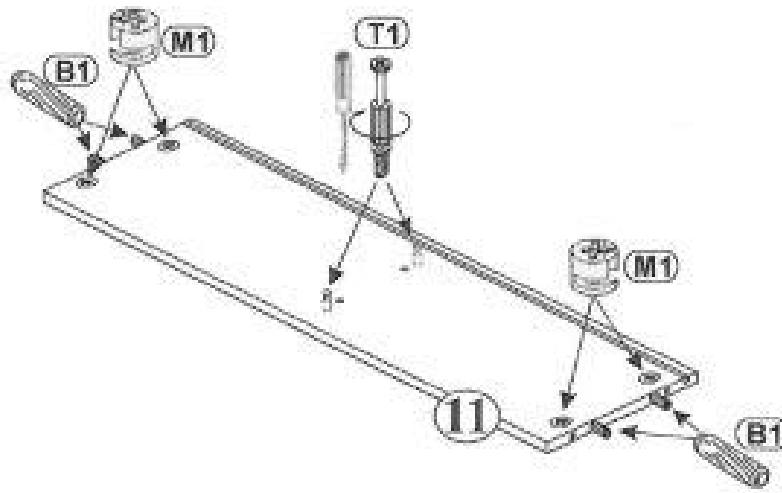
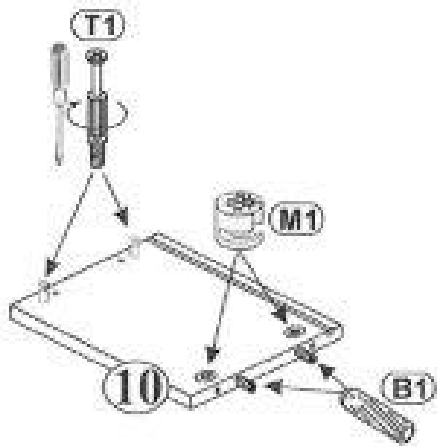
2



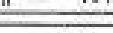


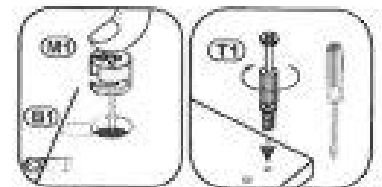
- (B1)**  $\varnothing 8 \times 28$ x10
- (M1)**  $\varnothing 15 \times 12 \text{mm}$ x10
- (T1)**  5x30mm x4
- (W3)**  x4
- (SQ2)**  x2
- (W1)**  x2



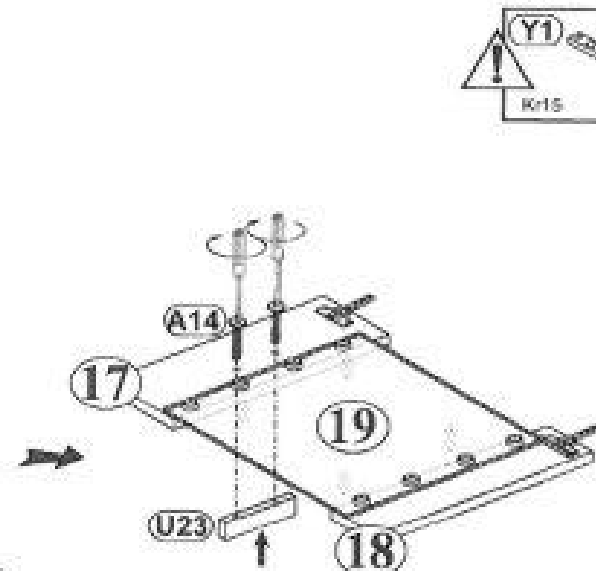
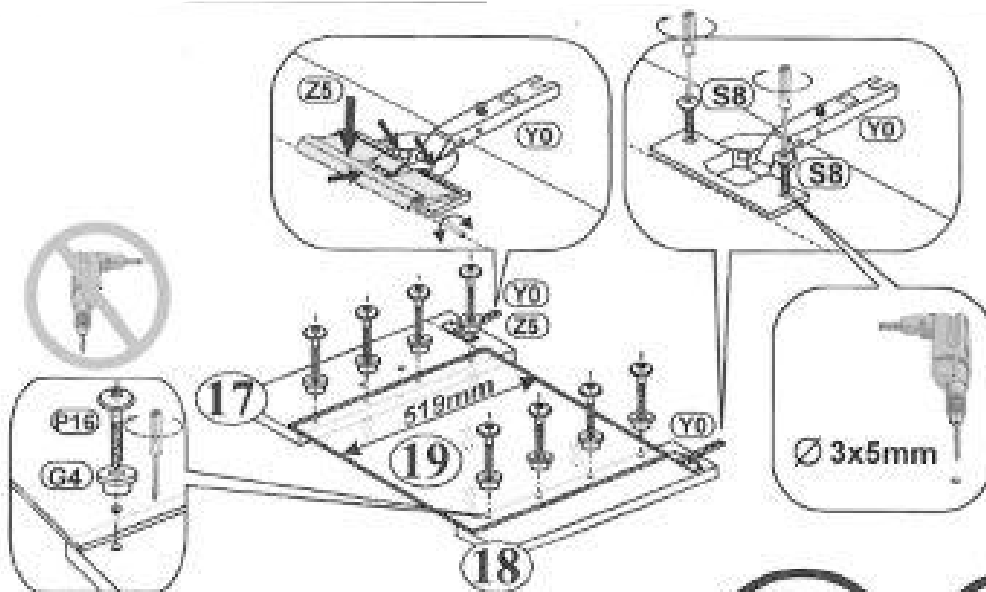
3



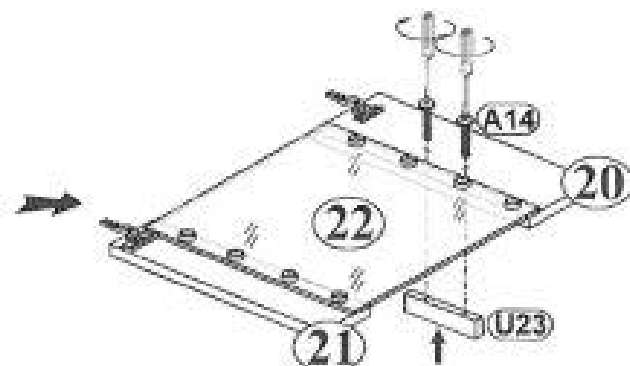
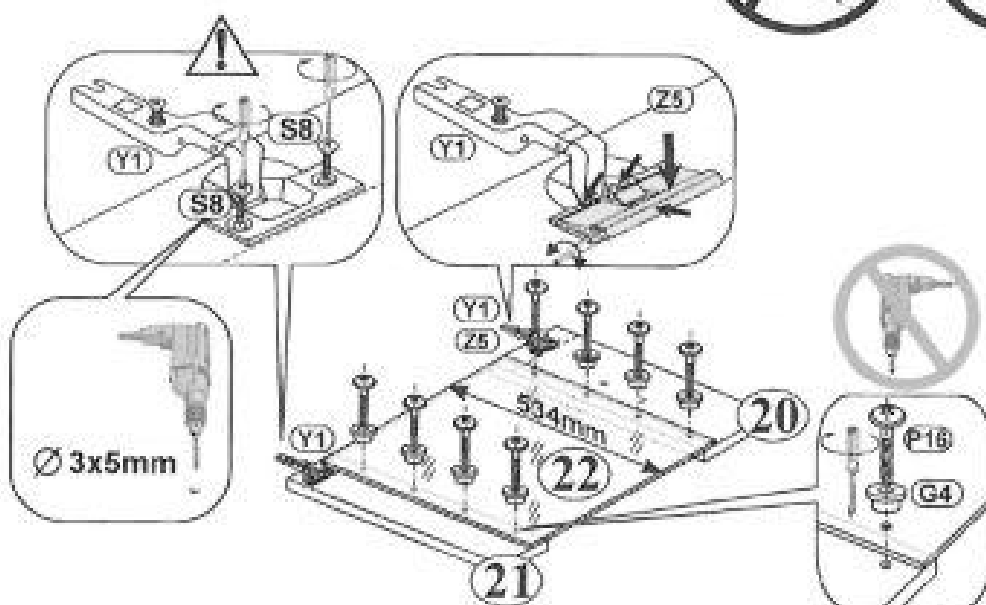
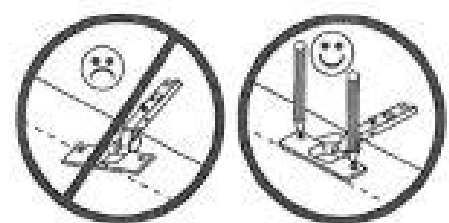
(B1)		6 3x28 x14
(M1)		φ15x12mm x14
(T1)		5x38mm x8



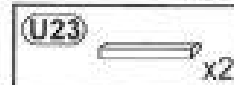
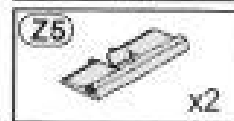
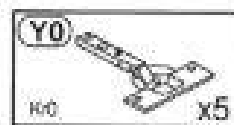
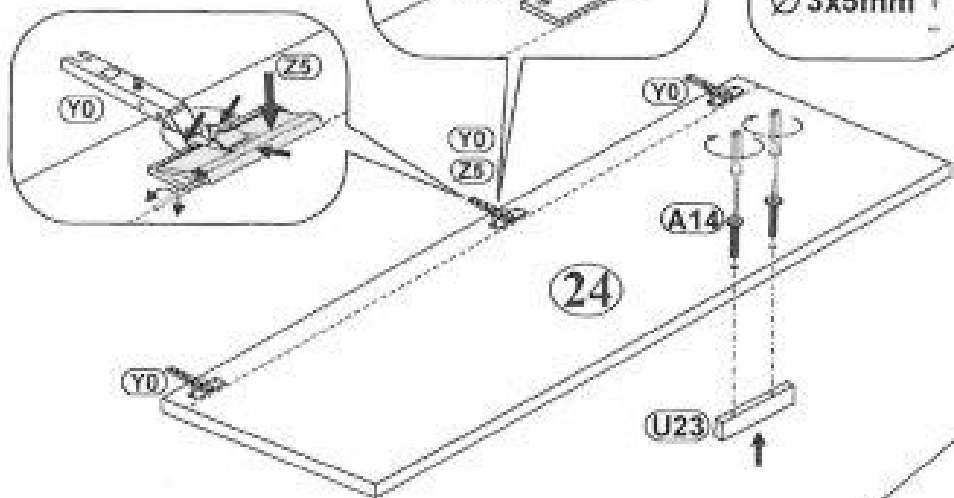
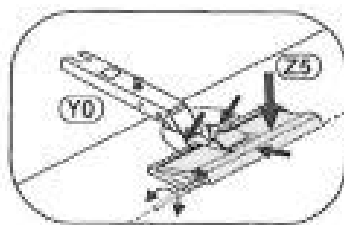
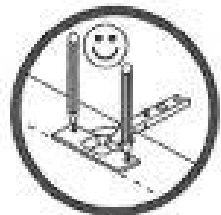
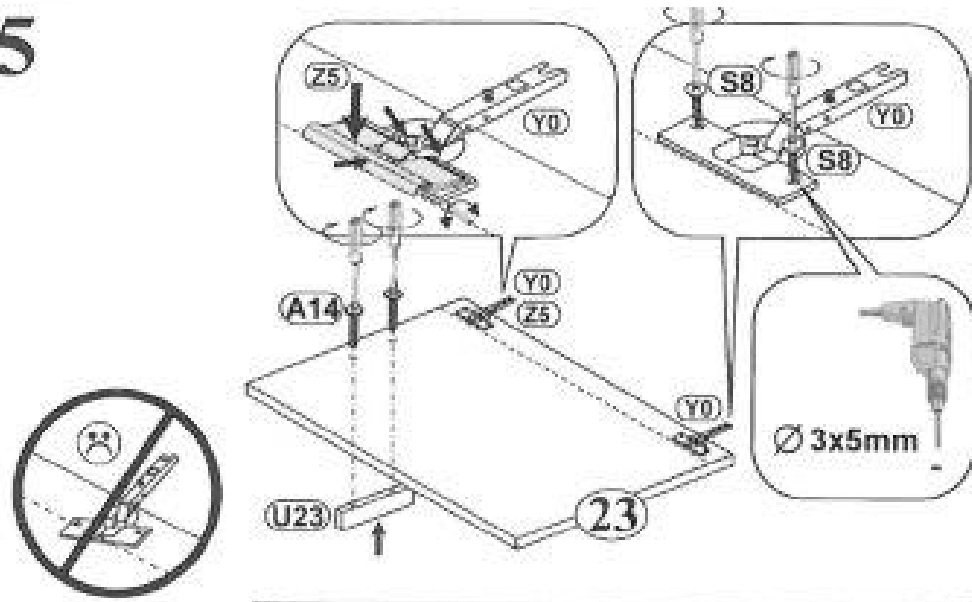
4



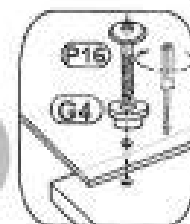
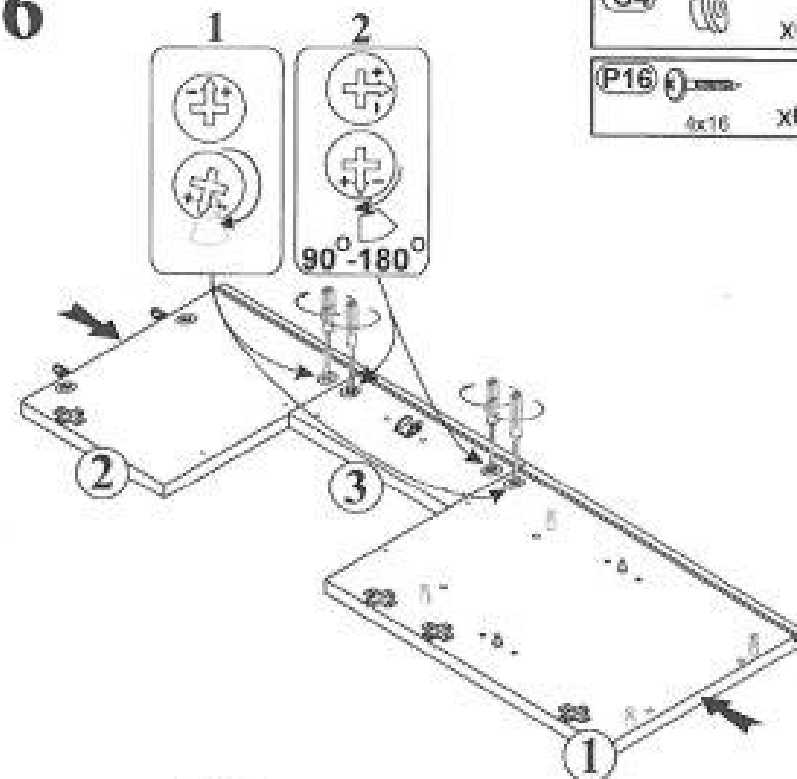
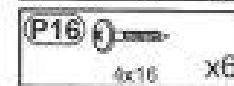
- (Y1) x2
- (Y0) x2
- (S8) 4x13 x8
- (Z5) x2
- (G4) x16
- (P16) 4x16 x16
- (U23) x2
- (A14) M4x22 x4



5

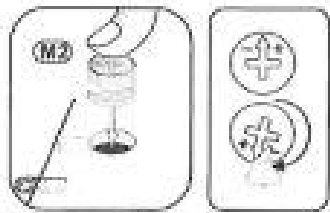
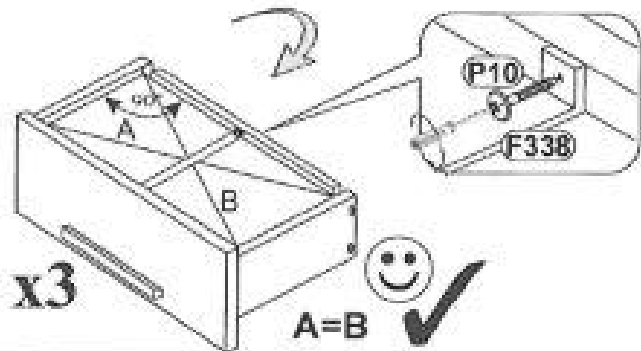
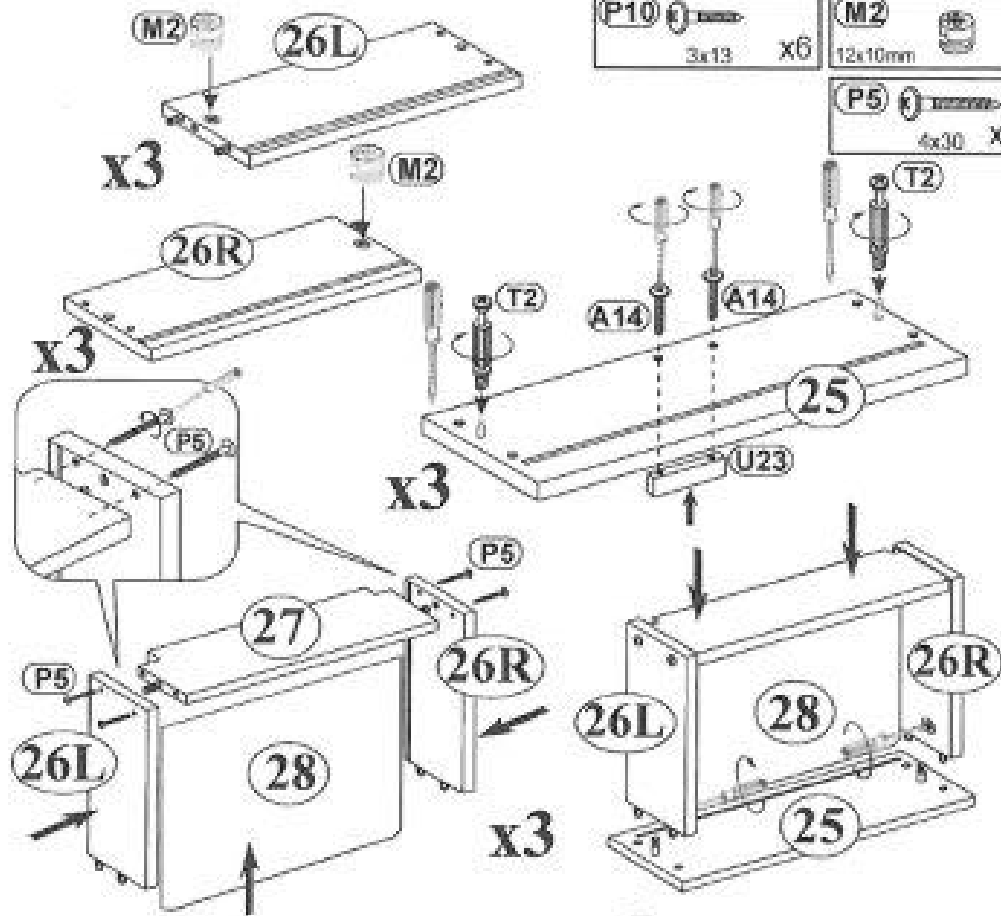


6

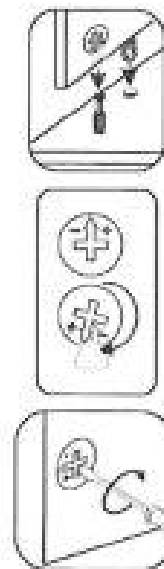
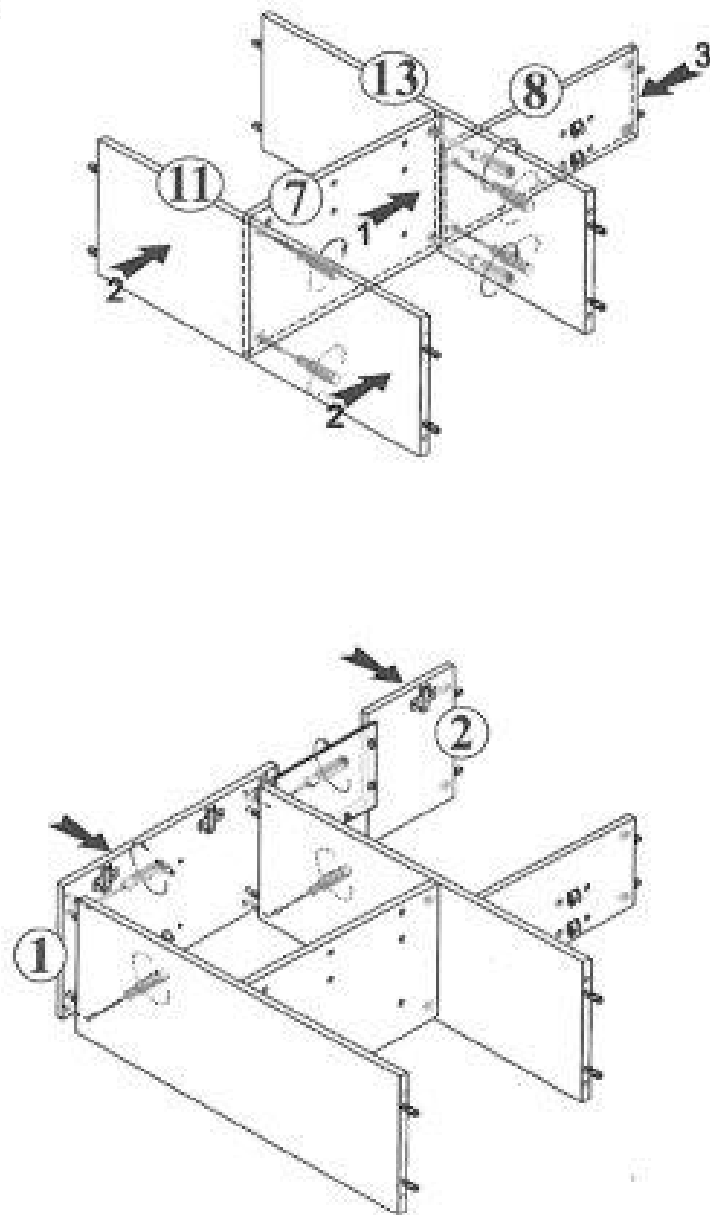


7

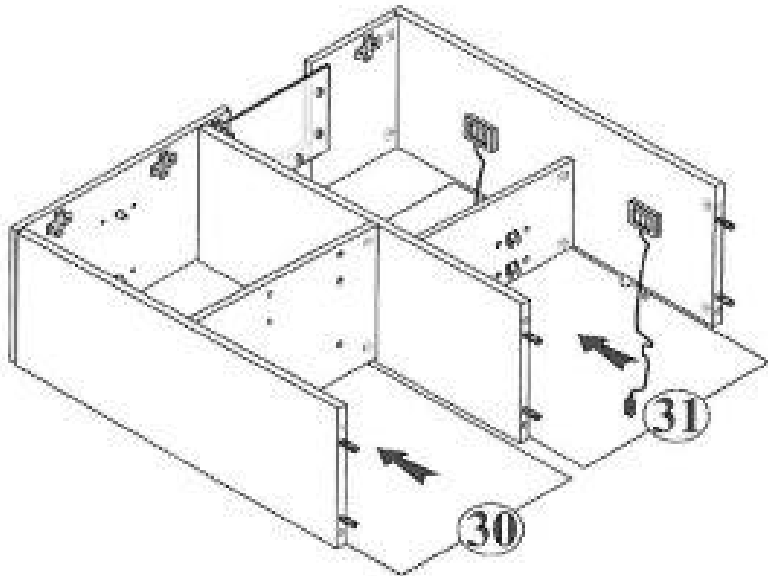
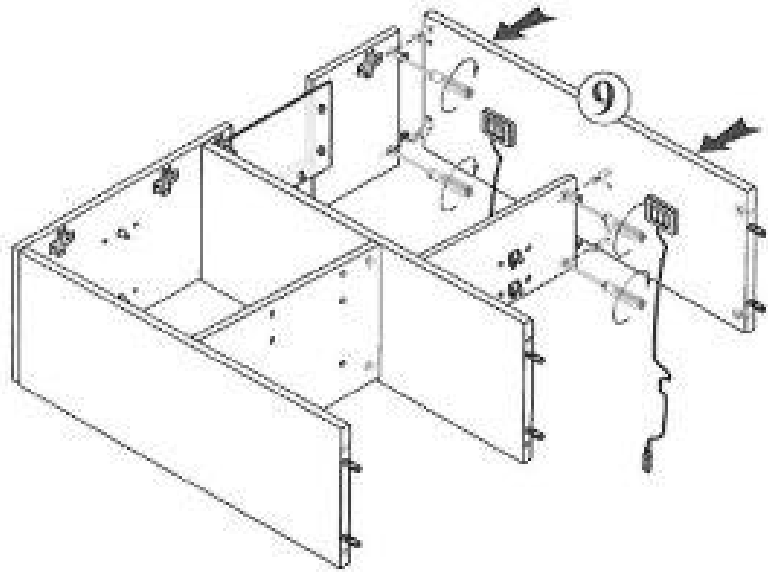
(A14) M4x22 x6	(U23) x3	(F338) L-338 x3	(T2) 3x35mm x6
(M2) x3	(P10) 3x13 x6	(M2) 12x10mm x6	(P5) 4x30 x12



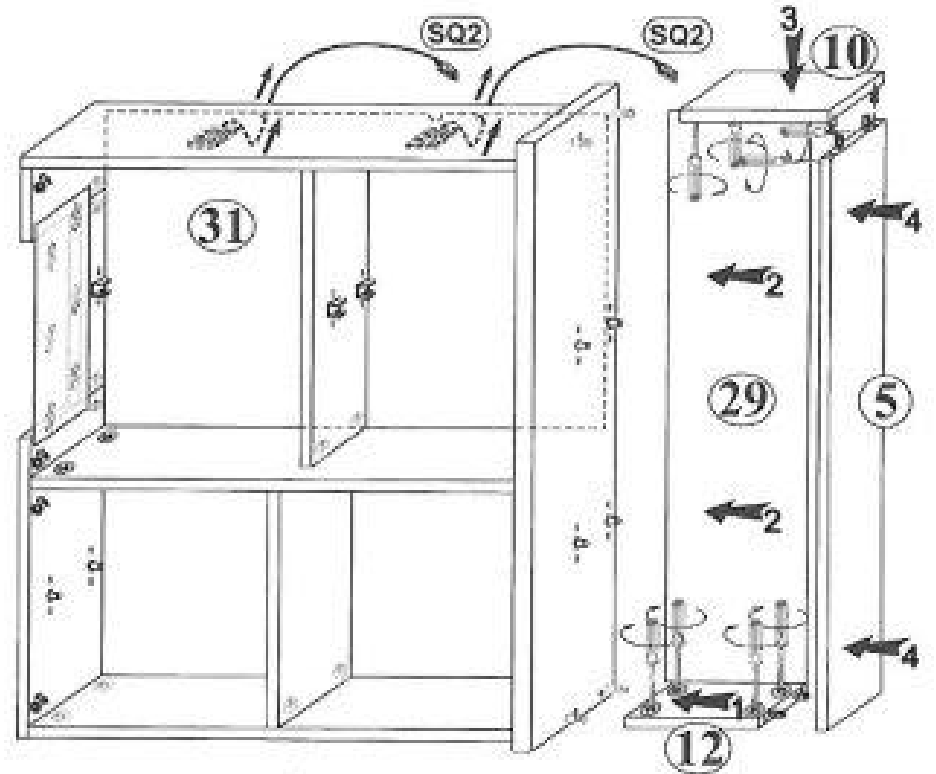
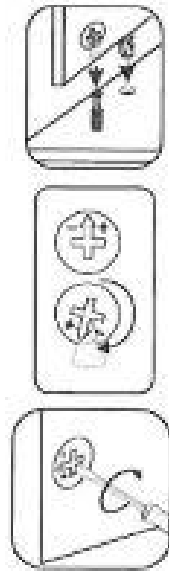
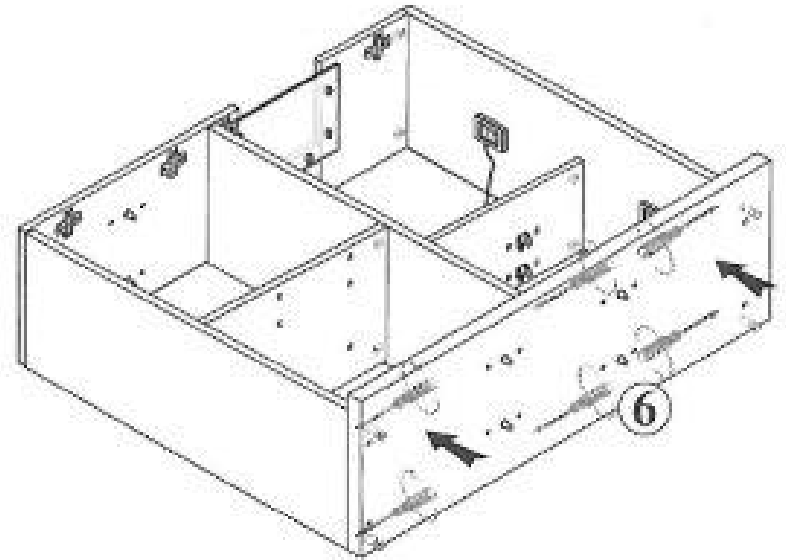
8



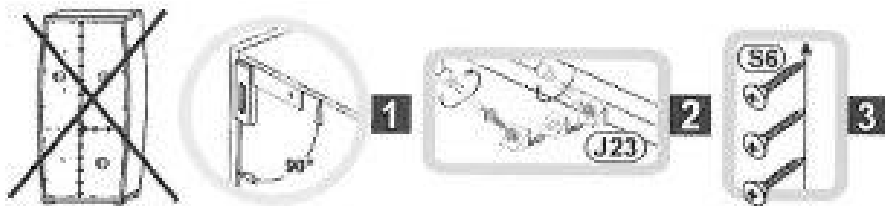
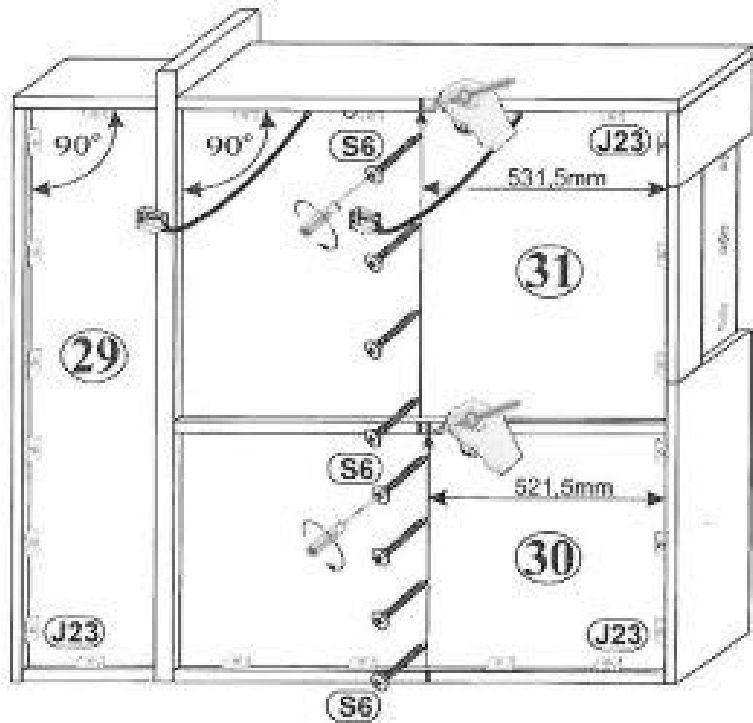
9



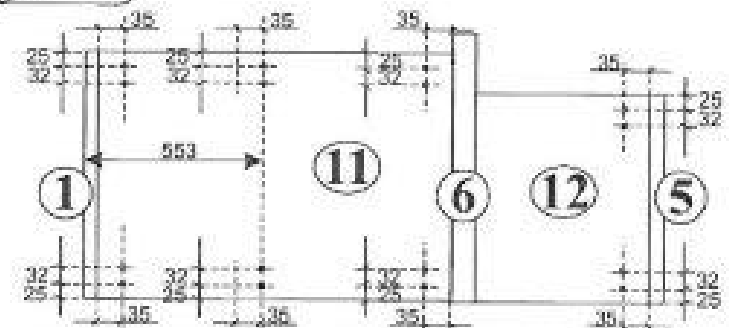
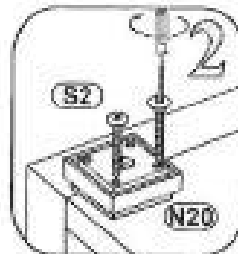
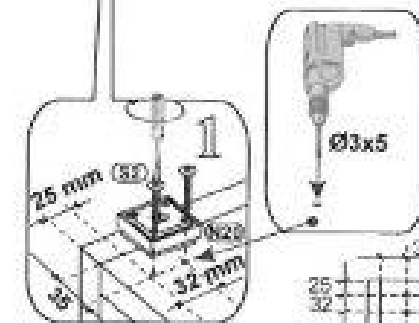
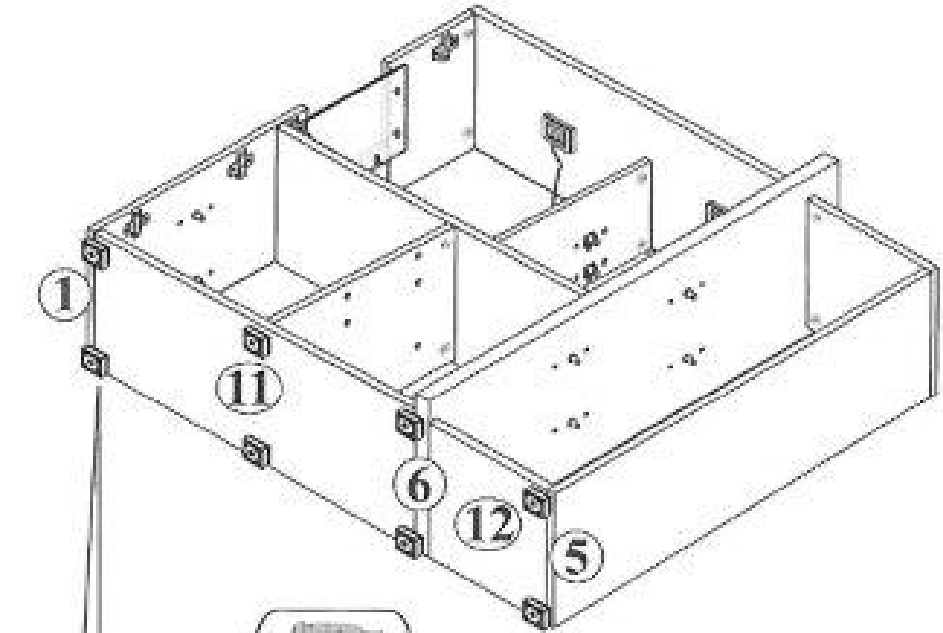
10



11

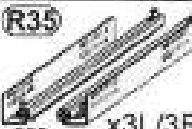


12

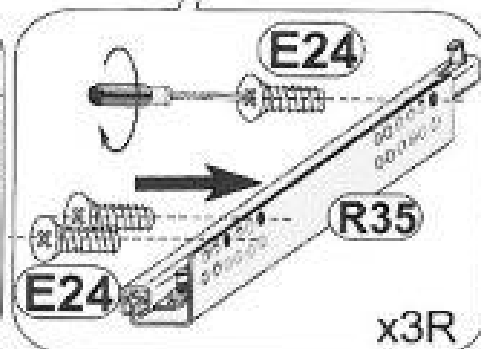
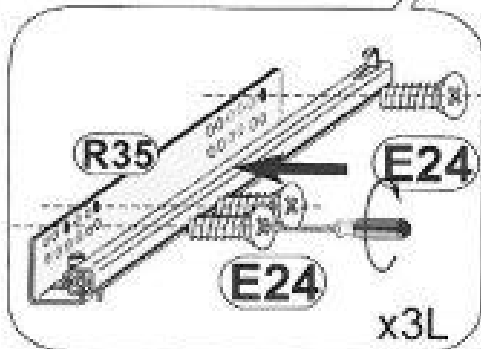
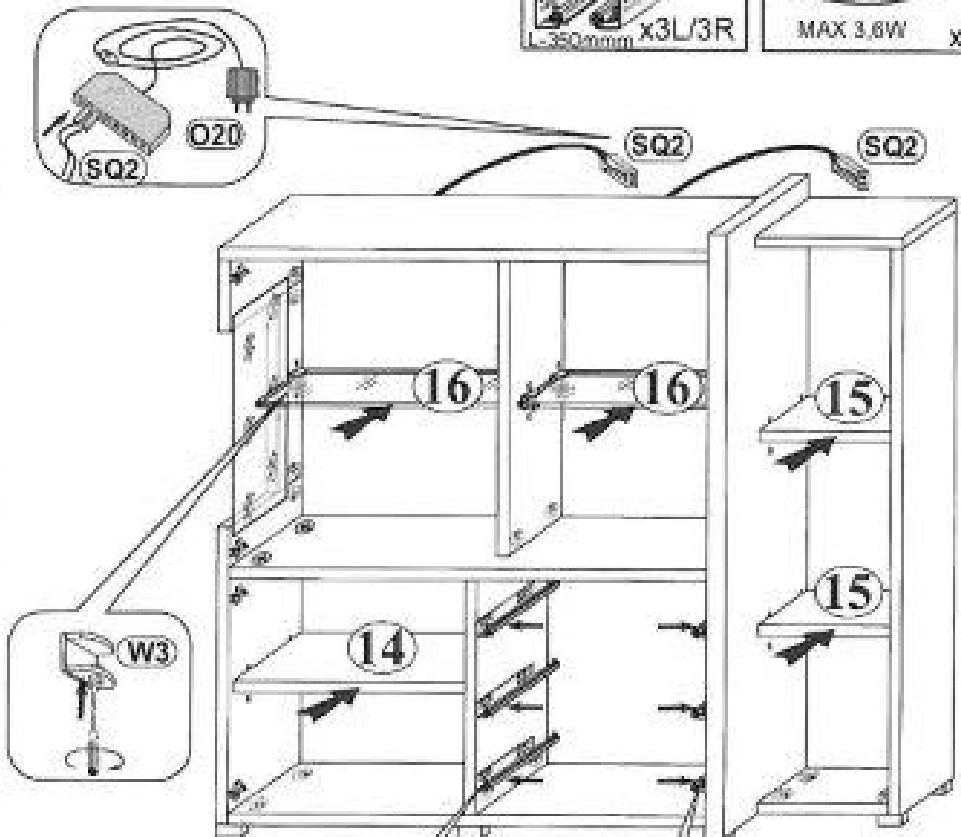


13

E24  6,0x11 x18

R35  L=350mm x3L/3R

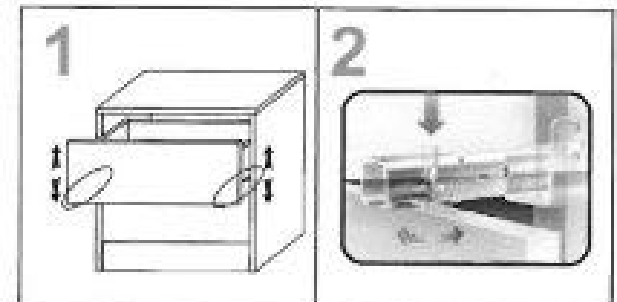
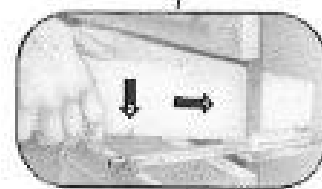
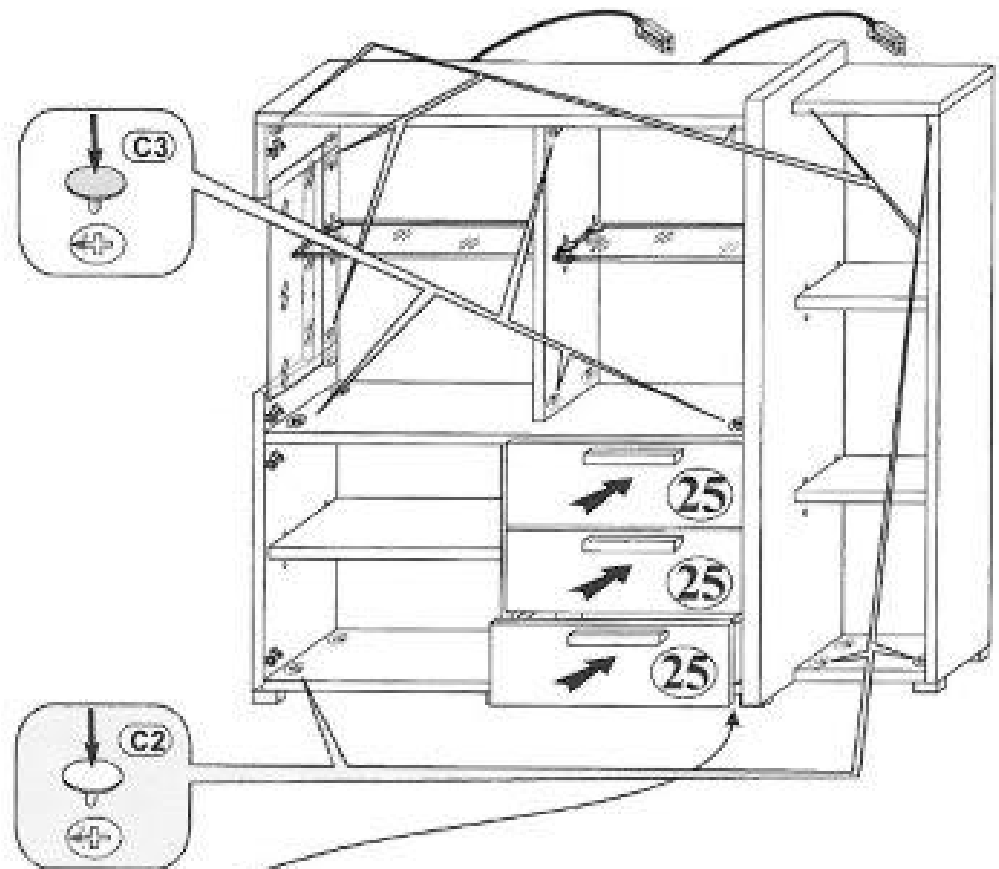
O21  MAX 3,8W x1



14

C2  x18

C3  x8



15

